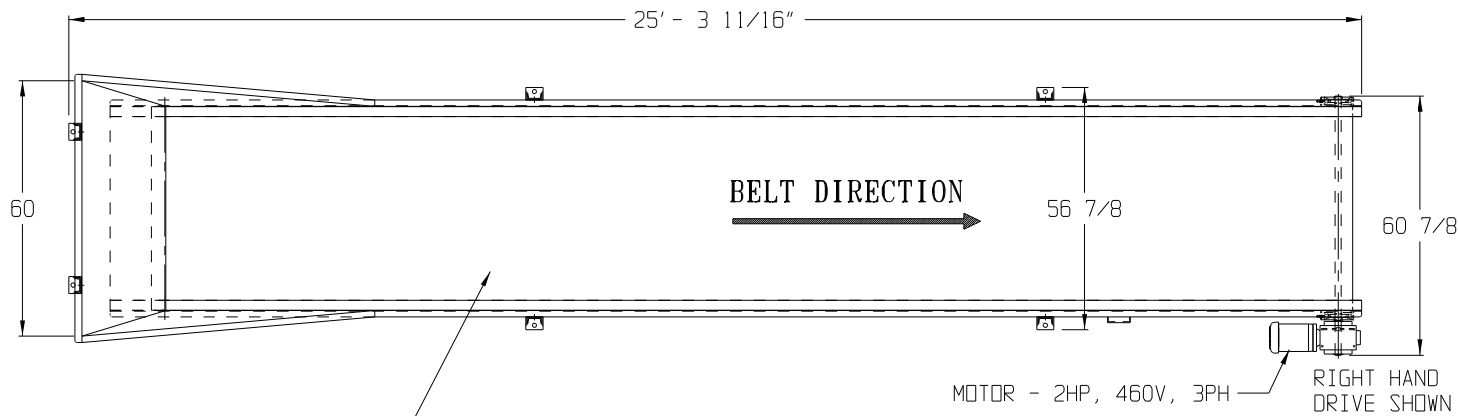


**PROPRIETARY INFORMATION**

THIS DRAWING IS THE CONFIDENTIAL PROPERTY OF ENDURA-VEYOR, INC. AND TRANSMITTED IN CONFIDENCE. THE REPRODUCTION, USE OR DISCLOSURE, IN WHOLE OR IN PART, OF THE DESIGN OR DETAILS CONTAINED HEREIN IS PROHIBITED WITHOUT THE EXPRESS WRITTEN PERMISSION OF ENDURA-VEYOR, INC.

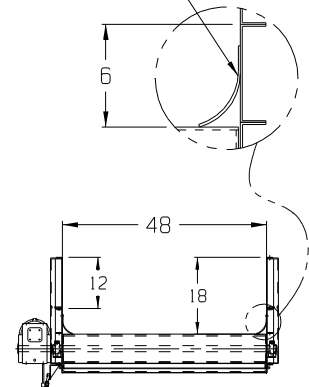
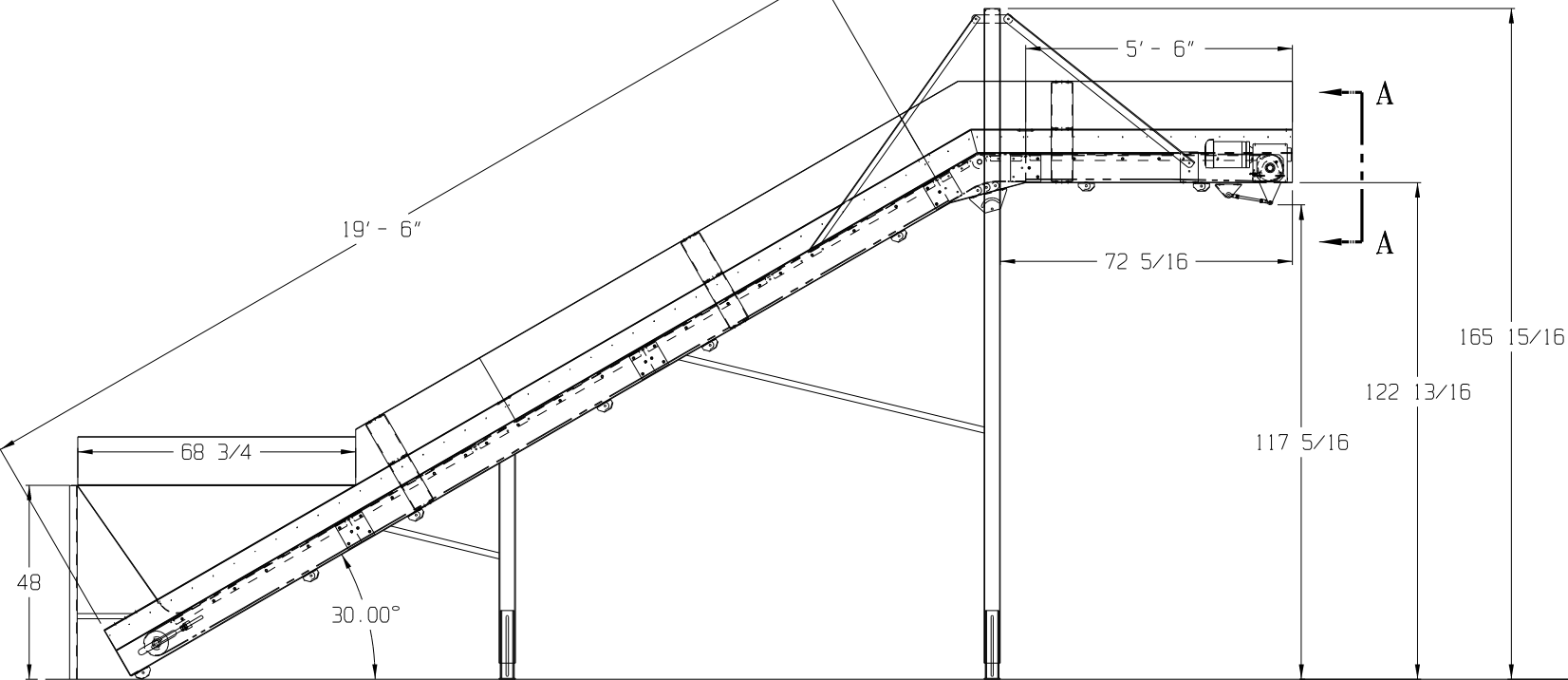
PLEASE SPECIFY:  
RIGHT HAND OR  
LEFT HAND DRIVE



BELT - PVC 120 R/T BLACK  
BELT SPEED - 60 FPM FIXED

MOTOR - 2HP, 460V, 3PH  
RIGHT HAND DRIVE SHOWN

SIDE GUIDE MAT'L  
FULL LENGTH



**END VIEW A-A**

**REVISED APPROVAL WITH ADDITIONAL 12" SKIRTS  
ADDED SIDE STIFFENERS AS WELL FOR THIS**

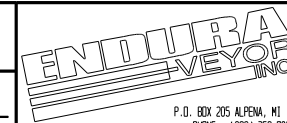
**\*\*MAX LIVE LOAD = 698 POUNDS\*\***

PAINT COLOR:  
EVI-SAFETY BLUE

**SAFETY REVIEW**

**APPLICATION REVIEW**

APPROVED OR CHANGES  
AS SHOWN OR REQUIRED



JOB NO: 73656-B (REVISED)

DRAWN BY: CHUCKKE

DATE: 12/28/10

REVISION: -

SCALE: N/A

REF JOB#: -

CO. NAME \_\_\_\_\_

SIGNATURE \_\_\_\_\_

DATE \_\_\_\_\_

TITLE: MODEL 660 NOSEOVER SLIDER  
BED CONVEYOR - 48" EW

ORG. NO.: **73656-B**  
**APPROVAL**

THE NEED FOR SAFETY DEVICES VARIES WITH EACH APPLICATION OF THIS PRODUCT. THIS DRAWING MAY NOT INCLUDE ALL APPROPRIATE SAFETY DEVICES FOR YOUR APPLICATION. AS SYSTEMS INTEGRATOR, PLEASE ADVISE YOUR CUSTOMER OF DEVICES THAT ARE APPROPRIATE FOR HIS/HER APPLICATION, BASED ON YOUR SAFETY ASSESSMENT. DEVICES MAY INCLUDE, BUT ARE NOT LIMITED TO THOSE SUCH AS, ADDITIONAL GUARDING, SAFETY CONTROLS, BARRICADES, END STOPS, ETC. COMPLIANCE WITH FEDERAL, STATE, OSHA AND LOCAL LAWS OR CODES ARE THE RESPONSIBILITY OF BOTH YOU, AS THE SYSTEMS INTEGRATOR/DISTRIBUTOR, AND THE END USER.

PLEASE REVIEW THE CONVEYOR DESIGN FOR ITS ABILITY TO FUNCTION PROPERLY IN YOUR INTENDED APPLICATION. APPLICATION REVIEW IS NOT THE RESPONSIBILITY OF ENDURA-VEYOR INC. THEREFORE, ENDURA-VEYOR INC. MAKES NO CLAIM AS TO THE PERFORMANCE OF THIS DESIGN FOR ANY PARTICULAR PURPOSE OR APPLICATION.

P.O. BOX 205 ALPENA, MI 49707  
PHONE: (989) 358-7060  
FAX: (989) 358-7065